
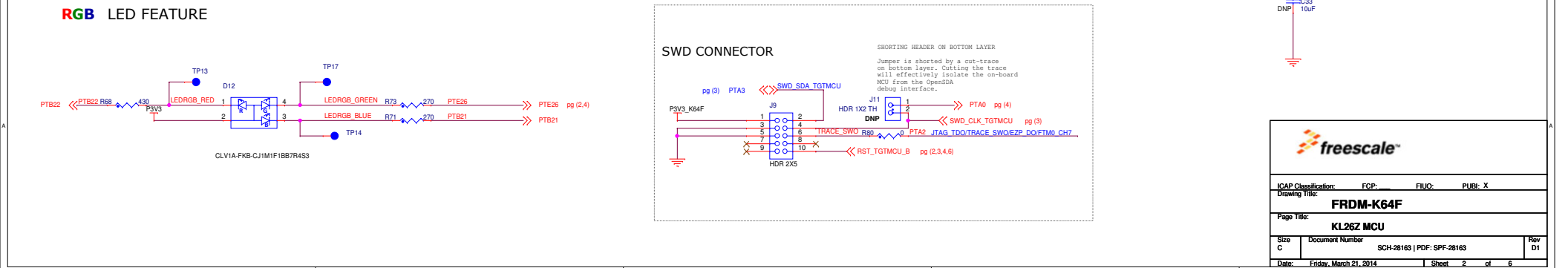
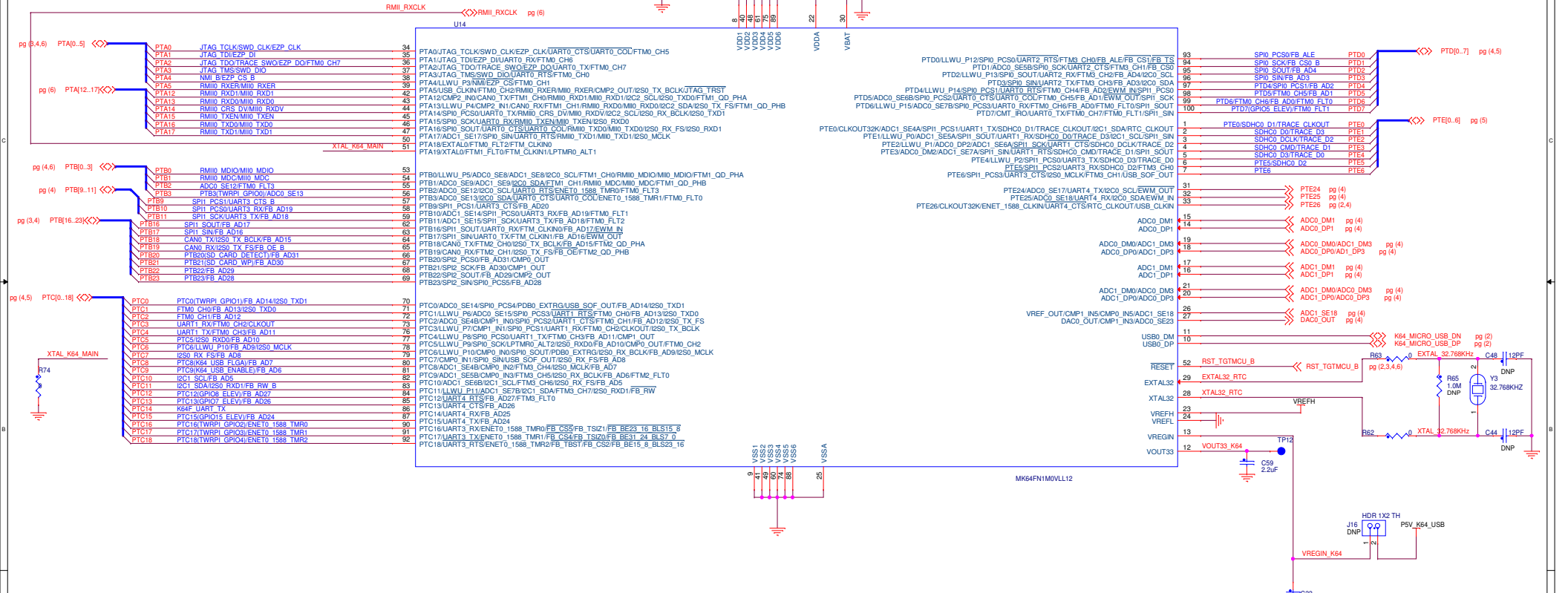
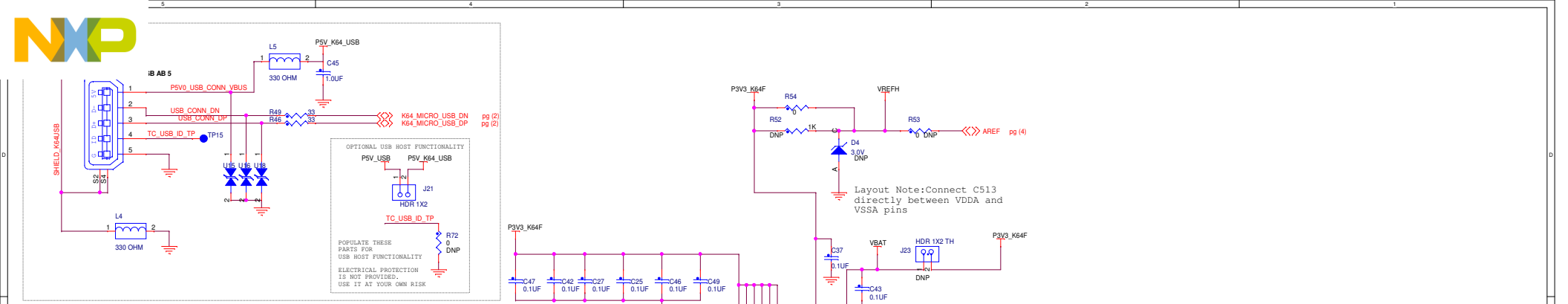


Contents	
1	openSDA INTERFACE
5	I/O Headers and Power Supply

Revisions & Change Log			
Rev	Description	Date	Approved
X1	Initial Draft	Oct 18	Chung
X2	Feedbacks Implemented	Oct 22	Chung
X3	Feedbacks from Chung Implemented	Oct 23	Chung
X4	Components changed as per the feedbacks	Oct 24	Chung
X5	RF and Bluetooth headers added	Oct 28	Chung
X6	Arduino connections added	Nov 1	Chung
X7	Net review and fix	Nov 3	Chung
A	Release to production, prototype build	Nov 8	Chung
A1	openSDA reset capacitor fix	Nov 22	del Rey
B	Release to production, production build	Jan 20	Chung
C	Release to production, production build	Feb 06	Chung
D	Fixing I2C swap to headers	Feb 26	Chung
D1	Enhancing USB PWR input filter for robustness	Mar 18	Chung

FREEDOM K64F

		Automotive, Industrial & Multi-Market Solutions Group 6501 William Cannon Drive West Austin, TX 78735-6598	
ICAP Classification: FCP: FLUQ: PUB: X			
Designer: Rafael del Rey	Drawing Title: FRDM-K64F		
Drawn by: Sudasha(LnT)	Page Title: TITLE PAGE		
Approved: Chung	Size C	Document Number SCH-28163 PDF: SPF-28163	Rev D1
Date: Friday, March 21, 2014		Sheet 1 of 6	



freescale

ICAP Classification: FCP: FIUC: PUB: X

Drawing Title: **FRDM-K64F**

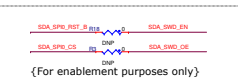
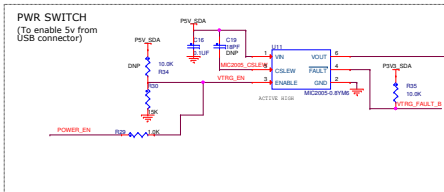
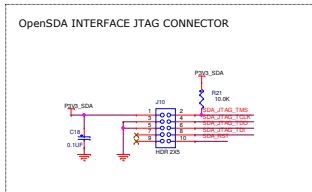
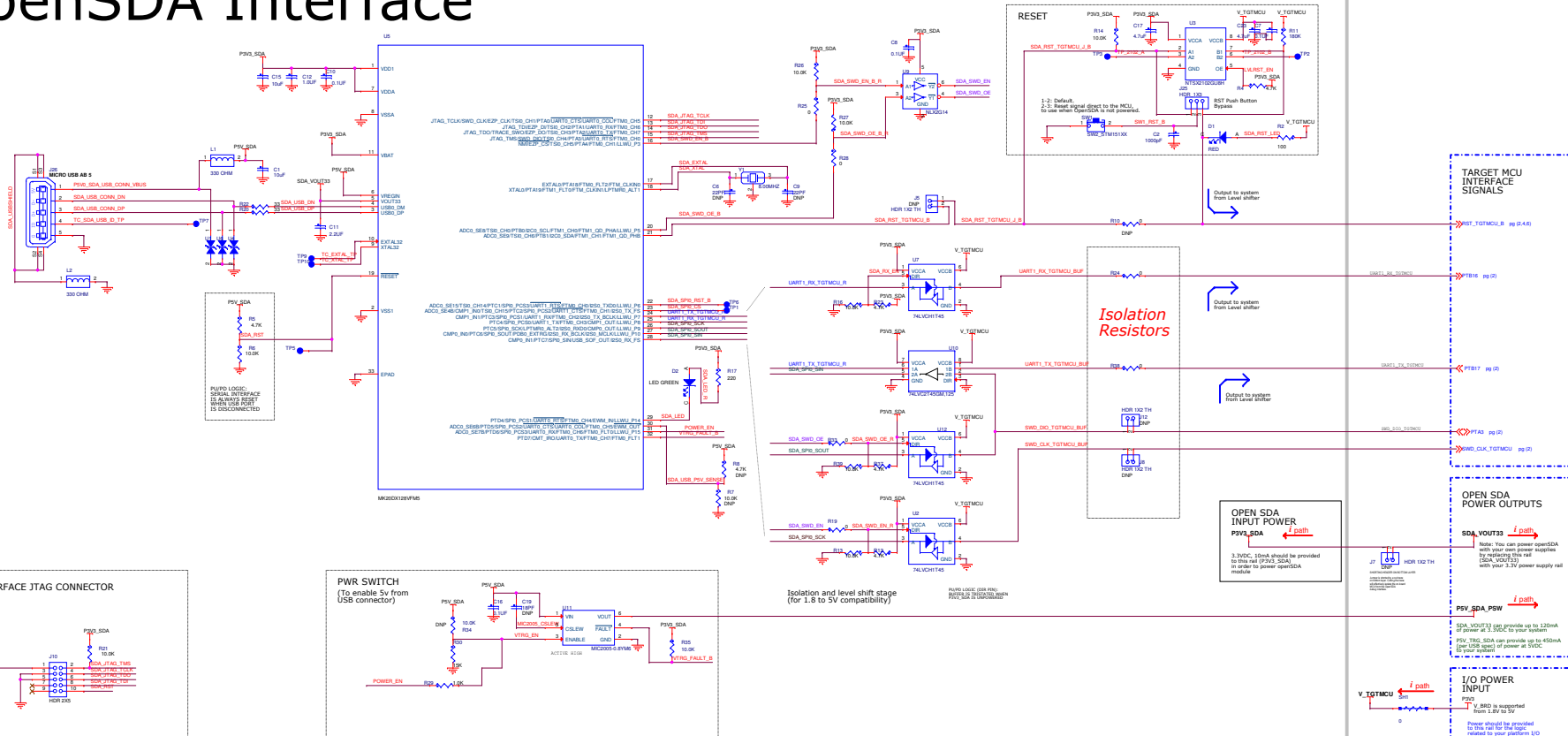
Page Title: **KL26Z MCU**

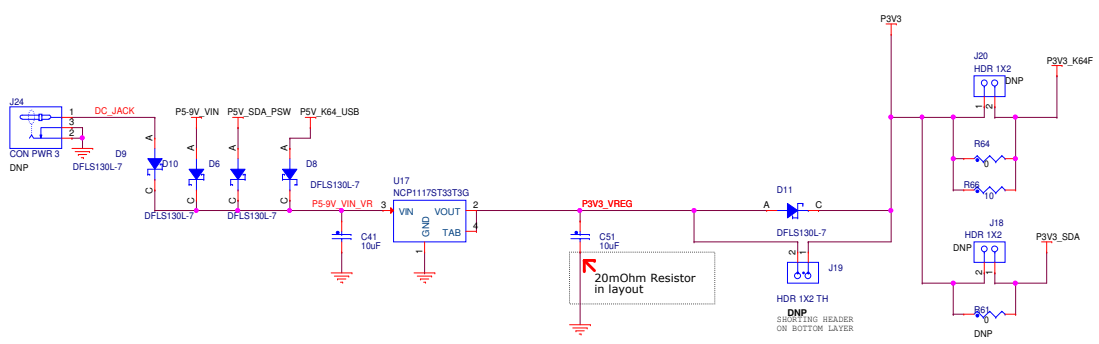
Size C Document Number SCH-28163 | PDF: SPF-28163 Rev D1

Date: Friday, March 21, 2014 Sheet 2 of 6

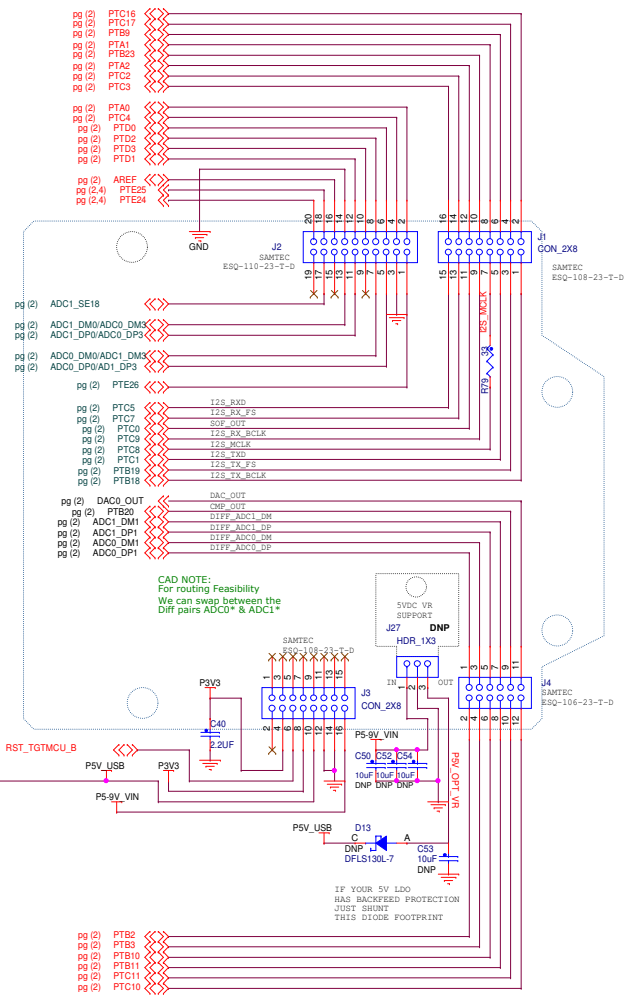


OpenSDA Interface

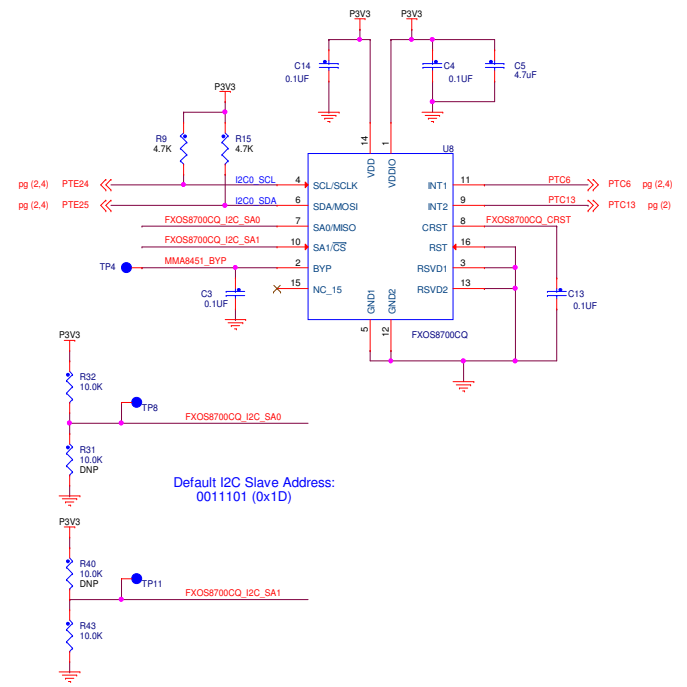




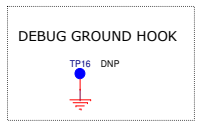
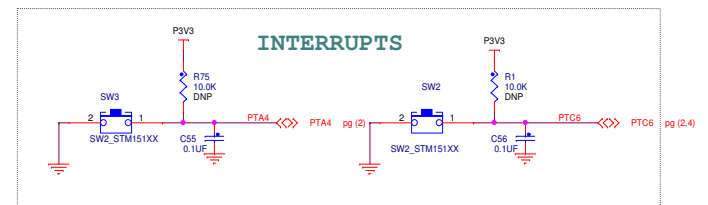
ARDUINO COMPATIBLE HEADERS



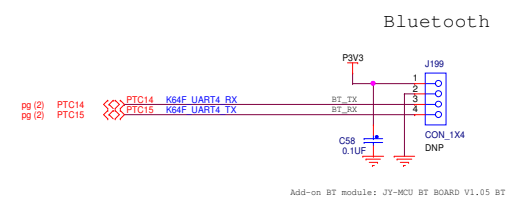
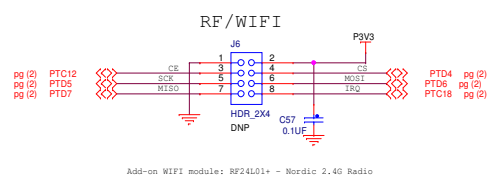
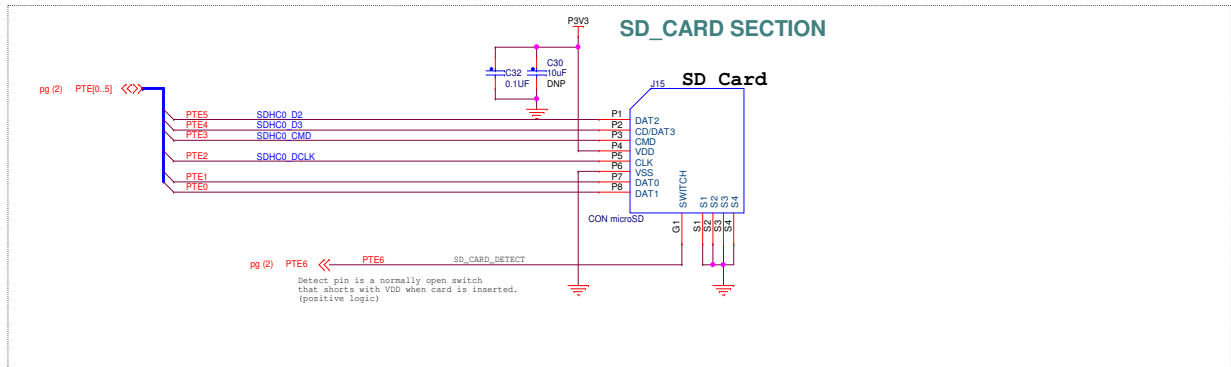
**I2C INERTIAL SENSOR
(ACCELEROMETER AND MAGNETOMETER)**



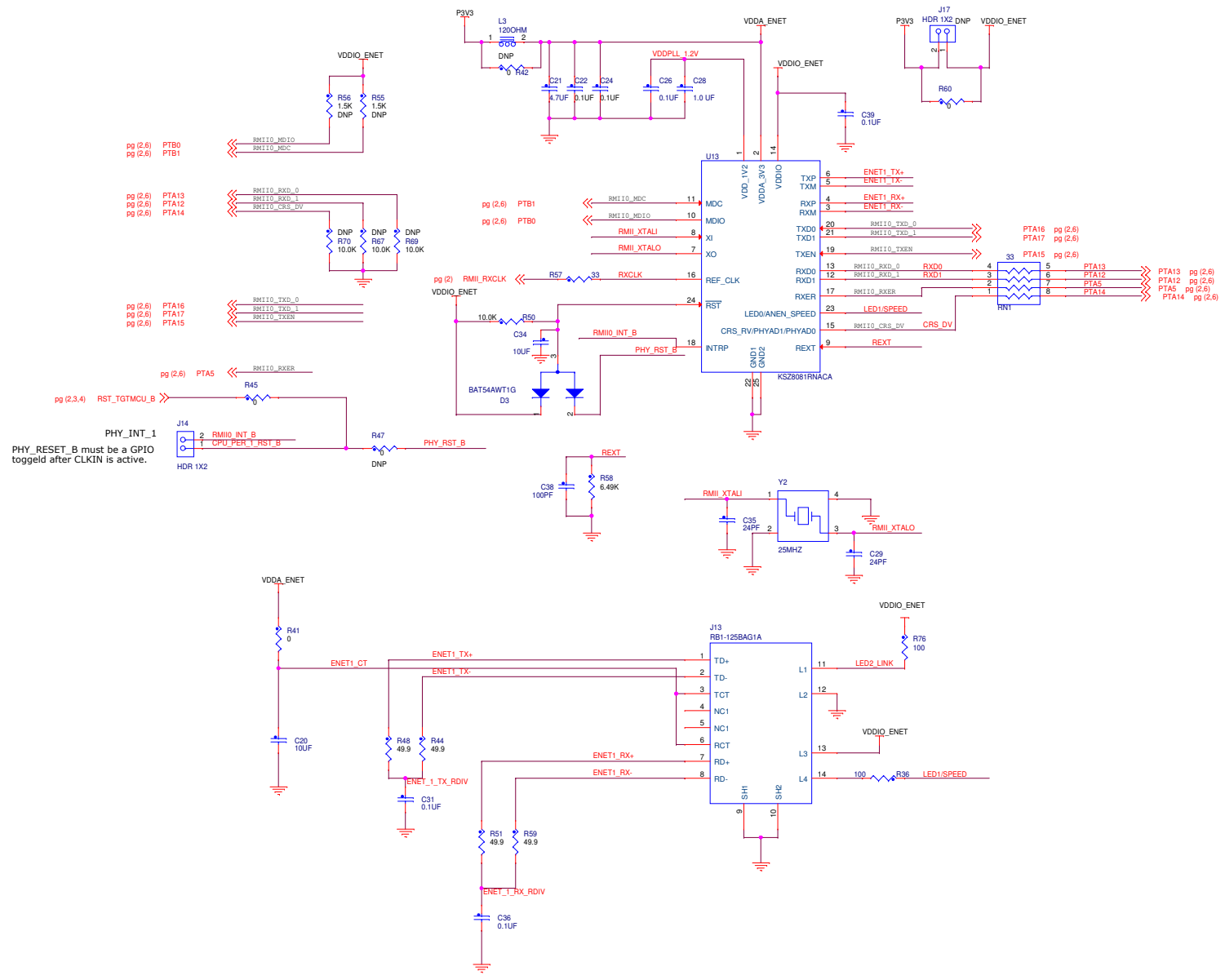
INTERRUPTS



ICAP Classification: FCP: FIUC: PUB: X	
Drawing Title: FRDM-K64F	
Page Title: ARDUINO SHIELDS & Accelerator	
Size C	Document Number SCH-28163 PDF: SPF-28163
Date: Friday, March 21, 2014	Sheet 4 of 6



ICAP Classification: FCP: FIUO: PUB: X		
Drawing Title: FRDM-K64F		
Page Title: PWR SUPPLY		
Size C	Document Number SCH-28163 PDF: SPF-28163	Rev D1
Date: Friday, March 21, 2014	Sheet 5	of 6



LAYOUT NOTES:
 1. The TRD+/TRD- pairs should be routed with a 100ohm differential impedance and a 50ohm single ended (characteristic) impedance.
 2. The trace lengths within a TRD+/TRD- differential pair should be matched.
 3. The distance between each TRD+/TRD- differential pair should be 50mils or more.

ICAP Classification:		FCP:	FIUC: PUBL: X
FRDM-K64F			
RMII			
Size	Document Number	SCH-28163 PDF: SPF-28163	Rev D1
C			
Date: Friday, March 21, 2014			
		Sheet 6	of 6